

NEW MODEL in assortment



Interior boiler VERNER 13/10.1 with the increased power adjustability

Enjoy the sitting by the „family fireplace“!

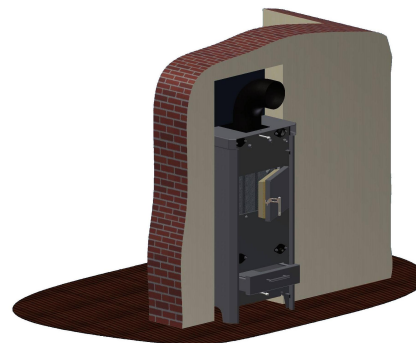
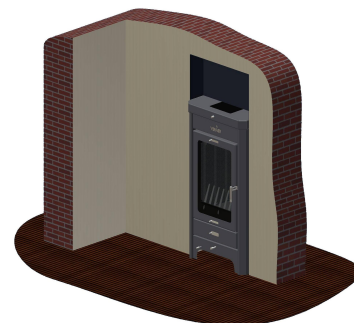
On the basis of your requests – our customers – **we have extended our range of interior boilers with the possibility of attendance from other room**, for the boiler with the increased power adjustability from 35% of rated power.

These boilers are ideal connection of great functionality, high quality and pleasant aesthetic design – so characteristics, which VERNER company traditionally offers and guarantees you in it's products.

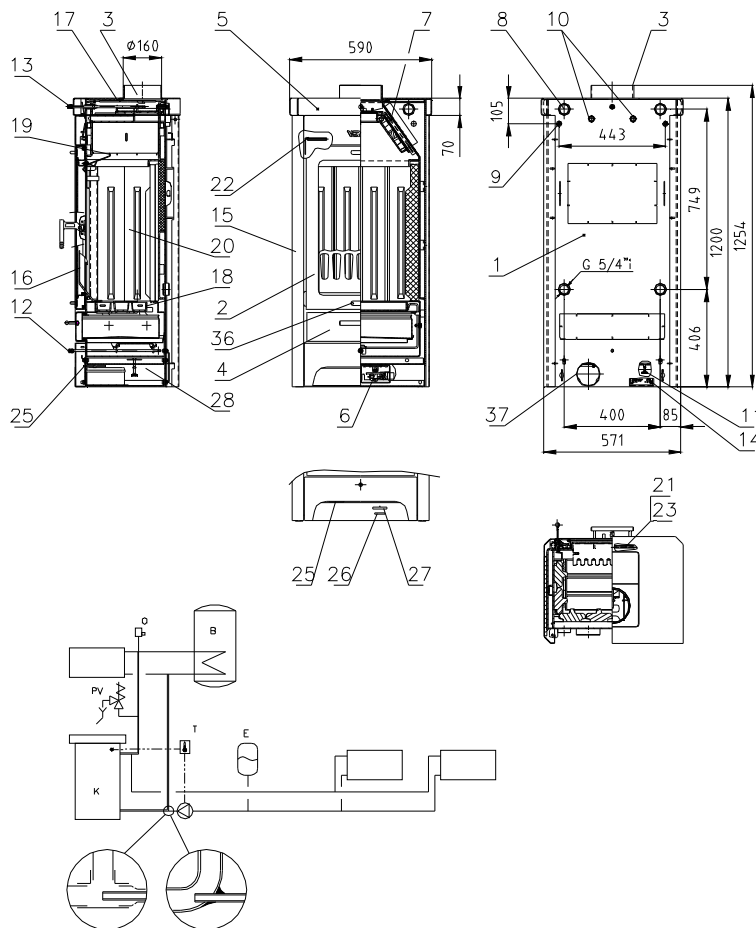
New generation of VERNER heating devices connects the qualities of boilers and fireplace stoves. Interior boiler VERNER 13/10 and 13/10.1 offer peace and warm of family fireplace together with high heating value and comfort of heating with the connection to the warmwater heating system. High efficiency and quality of burning ensure economic operation with the minimal stress for the environment.

Main advantages of interior boilers VERNER 13/10 and 13/10.1

- **the boiler can be operated from other room**, so it is not necessary to manipulate with ash in the room
- **large part of output goes to the heating system** (min. 77%) at full and also at reduced output (the room, where the boiler is situated, is not overheated)
- possibility of usage also in interiors with high demands for cleanness:
 - like **the only source** of heat in the object for the permanent operation
 - or additional heating device in objects heated by electricity or by gas
- **extremely long-term stable heat operation** thanks to the huge ceramic lining, special closing grate and automatic switching to the stable heat operation
- **big capacity of stoking area and ashtray** (it is not necessary to stoke and remove the ash so frequently)
- movable grate enables to **burn also fuels with higher ash content** (bark briquettes)
- inbuilt cooling loop **ensures the boiler against overheating**, which can come with forced system during the power cut
- **high efficiency (85%) and quality of burning** ensure economic operation with the minimal stress for the environment
- appearance and boiler dimensions, aesthetically balanced design with large-screen glass together with possibility of facing enable sensitive integration **to all types of interiors**



PARAMETERS:	13/10 .1	13/10
Adjustability (regarding rated capacity)	35% - 100%	50% - 120%
Total rated heating capacity	9 kW	13 kW
Rated capacity transferred to the heating system	7 kW	10 kW
Rated capacity transferred by the surface of the boiler	2 kW	3 kW
Efficiency	85 %	
Fuel consumption with the rated capacity	2,5 kg/h	3,6 kg/h
Burning time of full standard hopper with the rated capacity	2 - 3 h	3 h
Burning time with the reduced output	up to 12 h	
Fuel	wood (moisture up to 20 %), Wood briquettes	
Warmwater exchanger / cooling loop	yes/ yes	
Total weight	235 kg	255 kg
Width	590 mm	
Depth	470 mm	620 mm
Height	1 254 mm	



- 1 body
- 2 front door
- 3 flueway throat
- 4 ashtray
- 5 cooking-plate frame
- 6 thermostatic output regulator
- 7 cleaning lamellas of the exchanger
- 8 connective sleeves G 5/4"i
- 9 outlets of the cooling exchanger G1/2"
- 10 sleeve G 1/2"i
- 11 shutter of the primary air
- 12 pull of the grating
- 13 pull of the stoking flap
- 14 product label
- 15 side cover
- 16 fuel bar
- 17 front plate
- 18 grate
- 19 anti-smoke shield
- 20 big adapting piece
- 21 flue gases temperature sensor of the output regulation
- 22 water temperature sensor of the emergency thermoregulator
- 23 flue gases temperature sensor of the stable heat thermoregulator
- 25 regulation wheel (of the stable heat)
- 26 signalization target of the stable heat operation
- 27 output regulation wheel
- 28 servomotor of the stable heat operation
- 30 back door
- 31 cover of the ashtray slot
- 32 extender of the pull of the grating
- 33 extender of the pull of the flap
- 34 small adapting piece
- 35 air inlet for more intense fire up process
- 36 air inlet for more intense blowing of the glass
- 37 input of the external air inlet

Legend:

- K - interior boiler VERNER 13/10
- E - pressure expansion tank
- B - boiler (geyser)
- PV - safety valve
- O - selfacting purge valve
- T - capillary thermoregulator

VERNER a. s.
 Sokolská 321, 549 41 Červený Kostelec,
 telefon: +420 491 462 135, +420 491 465 024
 email: info@verner.cz

www.verner.cz